

# Aqua Glasswashers

## FEATURES

- High grade 304 stainless steel construction
- Pressed tank and rounded corners to aid cleaning of machine
- Double skin door for quieter running and improved efficiency
- Rotating wash and rinse arms removable for cleaning
- Fitted with integral non-return valve
- Automatic detergent and rinse aid dosing
- 2 minute cycle
- 3/4" BSP water inlet valve
- Models 37, 40 & 50 available with integral drain pump
- Supplied with 2 glass baskets as standard
- Supply 13 amp

## OPTIONAL EXTRAS

Water Softener - 12 litres	F1-DEP12	
Universal stand	G2-STU	

**Note: If optional extras sold separately, there is a delivery charge of £10.95+ VAT**

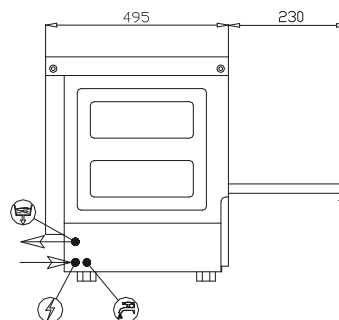
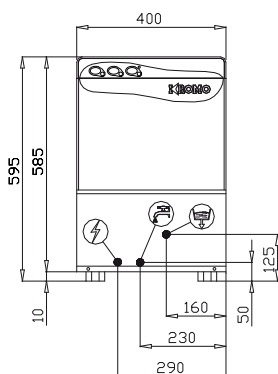
F1-DEP12



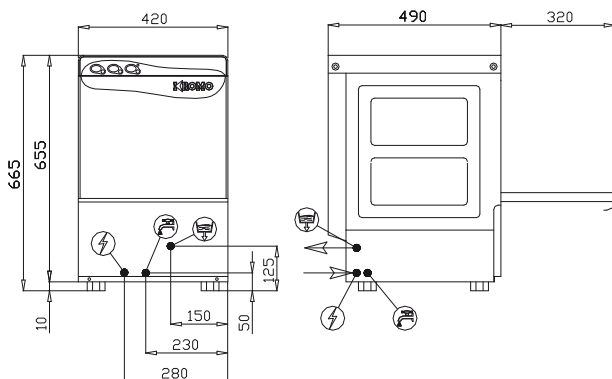
G2-STU



AQUA35

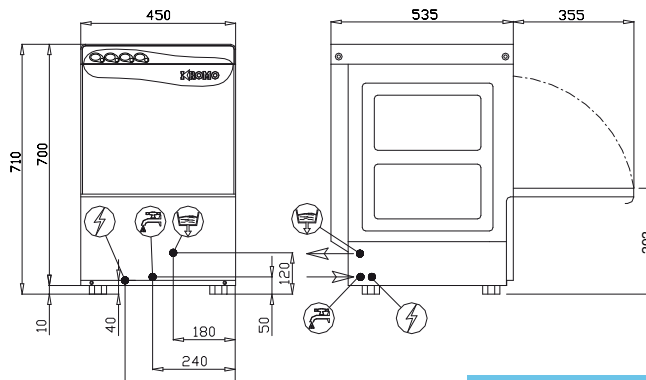


AQUA37



# Aqua Glasswashers

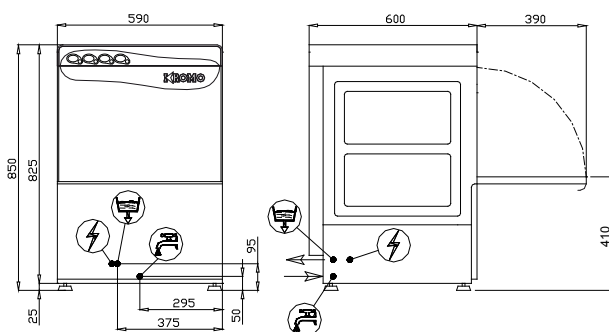
AQUA40



## IMPORTANT NOTES

If you are installing a glass or dishwasher in a hard water area, we recommend you to fit a water softener. Faults attributed to poor water quality are not covered under the manufacturer's warranty.

AQUA50



MODEL	PIECES /CYCLE	GLASS MAX HEIGHT	PIECES /HR	BASKET SIZE (mm)	EXT. DIMENSIONS (H x W x D mm)	POWER CONSUMPTION	WEIGHT (kg)	RRP
AQUA35	13 pint glasses	195mm	480	350 x 350	595 x 400 x 495	2590W	35	
AQUA37	16 pint glasses	275mm	480	370 x 370	665 x 420 x 490	2590W	38	
AQUA37DP	16 pint glasses	275mm	480	370 x 370	665 x 420 x 490	2590W	38	
AQUA40	17 pint glasses	300mm	576	400 x 400	710 x 450 x 535	2800W	42	
AQUA40DP	17 pint glasses	300mm	576	400 x 400	710 x 450 x 535	2800W	43	
AQUA50	25 pint glasses	320mm	1080	500 x 500	850 x 590 x 600	2830W	66	
AQUA50DP	25 pint glasses	320mm	1080	500 x 500	850 x 590 x 600	2830W	66	

\* based on 90mm diameter pint glass

